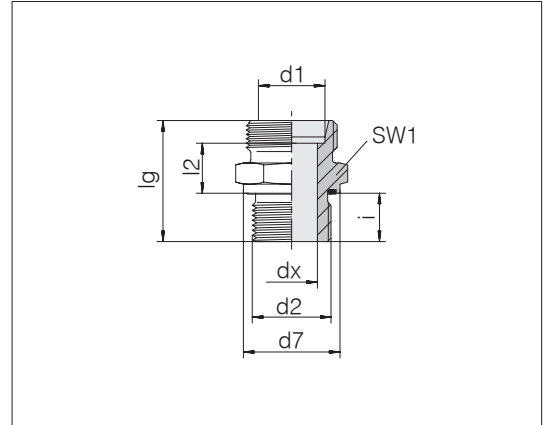


Male stud connectors

Male thread: Metric fine thread, cylindrical
 Threaded stud: ISO 9974-2 Form E
 Sealing type: Profile sealing ring PEFLEX
 Sealing material: Standard NBR

Tube coupling: 24° in acc. with ISO 8434-1



Series	d2	Pressure	d7	dx	lg	l2	SW1	i	Nm -10 %	kg/100 ca.	Order-No.	Designation
Tube OD d1												
L 6	M 10 x 1	PN 500	13.9	4	23.5	8.5	14	8	15	1.4	0784392000	24-SDS-L6-M10E ¹⁾
L 6	M 12 x 1	PN 500	16.9	4	27	10	17	10	25	2.8	1785662000	24-SDS-L6-M12x1E
L 6	M 12 x 1.5	PN 500	16.9	4	29	10	17	12	25	2.3	1784612000	24-SDS-L6-M12E
L 6	M 14 x 1.5	PN 500	18.9	4	29	10	19	12	50	3.4	1785682000	24-SDS-L6-M14E
L 6	M 16 x 1.5	PN 400	21.9	4	30.5	11.5	22	12	70	3.4	1785442000	24-SDS-L6-M16E
L 6	M 18 x 1.5	PN 400	23.9	4	30.5	11.5	24	12	90	3.6	1785462000	24-SDS-L6-M18E
L 8	M 10 x 1	PN 500	13.9	4	24.5	9.5	14	8	15	1.6	1784442000	24-SDS-L8-M10E
L 8	M 12 x 1.5	PN 500	16.9	6	29	10	17	12	25	2.1	0784402000	24-SDS-L8-M12E ¹⁾
L 8	M 14 x 1.5	PN 500	18.9	6	29	10	19	12	50	2.8	0784112000	24-SDS-L8-M14E
L 8	M 16 x 1.5	PN 400	21.9	6	30.5	11.5	22	12	70	4.1	1784862000	24-SDS-L8-M16E
L 8	M 18 x 1.5	PN 400	23.9	6	30.5	11.5	24	12	90	5.0	1798492000	24-SDS-L8-M18E
L 8	M 22 x 1.5	PN 400	26.9	6	34	13	27	14	130	5.5	1785552000	24-SDS-L8-M22E
L 10	M 10 x 1	PN 500	13.9	4	25.5	10.5	17	8	15	2.3	1785982000	24-SDS-L10-M10E
L 10	M 12 x 1	PN 500	16.9	6	28	11	17	10	25	2.6	1795042000	24-SDS-L10-M12x1E
L 10	M 12 x 1.5	PN 500	16.9	6	30	11	17	12	25	2.4	1784622000	24-SDS-L10-M12E ²⁾
L 10	M 14 x 1.5	PN 500	18.9	7	30	11	19	12	50	2.9	0784412000	24-SDS-L10-M14E ¹⁾
L 10	M 16 x 1.5	PN 400	21.9	7	31.5	12.5	22	12	70	4.2	1784602000	24-SDS-L10-M16E
L 10	M 18 x 1.5	PN 400	23.9	8	31.5	12.5	24	12	90	4.9	0784042000	24-SDS-L10-M18E
L 10	M 22 x 1.5	PN 400	26.9	8	35	14	27	14	130	8.0	1784872000	24-SDS-L10-M22E
L 12	M 10 x 1	PN 400	13.9	4	27	12	19	8	15	2.7	1784892000	24-SDS-L12-M10E
L 12	M 12 x 1.5	PN 400	16.9	6	31.5	12.5	19	12	25	3.0	1784852000	24-SDS-L12-M12E
L 12	M 14 x 1.5	PN 400	18.9	7	30	11	19	12	50	2.9	1784402000	24-SDS-L12-M14E
L 12	M 16 x 1.5	PN 400	21.9	9	31.5	12.5	22	12	70	3.9	0784422000	24-SDS-L12-M16E ¹⁾
L 12	M 18 x 1.5	PN 400	23.9	9	31.5	12.5	24	12	90	4.4	1784482000	24-SDS-L12-M18E
L 12	M 22 x 1.5	PN 400	26.9	9	35	14	27	14	130	6.4	1784492000	24-SDS-L12-M22E
L 12	M 26 x 1.5	PN 250	31.9	10	37	14	32	16	180	10.0	1785532000	24-SDS-L12-M26E
L 15	M 12 x 1.5	PN 400	16.9	6	32	13	24	12	25	4.8	1796032000	24-SDS-L15-M12E
L 15	M 16 x 1.5	PN 400	21.9	9	32	13	24	12	70	4.8	1784562000	24-SDS-L15-M16E
L 15	M 18 x 1.5	PN 400	23.9	11	32.5	13.5	24	12	90	5.1	0784432000	24-SDS-L15-M18E ¹⁾
L 15	M 22 x 1.5	PN 400	26.9	12	36	15	27	14	130	7.1	1784502000	24-SDS-L15-M22E
L 15	M 26 x 1.5	PN 250	31.9	12	38	15	32	16	180	11.3	1784542000	24-SDS-L15-M26E

¹⁾ Standard size

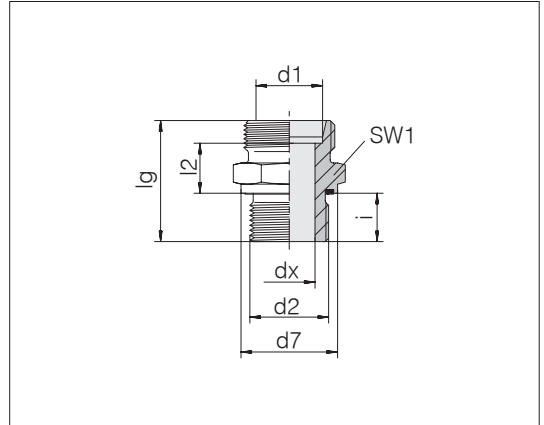
²⁾ Special sizes only on request

Example for comp.:
 GE06LMEDOMD
 ISO 8434-1-SDS-L6xM10x1-E-St

Male stud connectors

Male thread: Metric fine thread, cylindrical
 Threaded stud: ISO 9974-2 Form E
 Sealing type: Profile sealing ring PEFLEX
 Sealing material: Standard NBR

Tube coupling: 24° in acc. with ISO 8434-1



Series	d2	Pressure	d7	dx	lg	l2	SW1	i	Nm -10 %	kg/100 ca.	Order-No.	Designation
Tube OD d1												
L 18	M 18 x 1.5	PN 400	23.9	11	33.5	14	27	12	90	6.5	1784452000	24-SDS-L18-M18E
L 18	M 22 x 1.5	PN 400	26.9	14	36	14.5	27	14	130	7.4	0784442000	24-SDS-L18-M22E ¹⁾
L 18	M 26 x 1.5	PN 250	31.9	15	38	14.5	32	16	180	9.4	1784472000	24-SDS-L18-M26E
L 18	M 27 x 2	PN 250	31.9	15	43	19.5	32	16	180	14.8	1796872000	24-SDS-L18-M27E
L 18	M 33 x 2	PN 250	39.9	15	41	15.5	41	18	230	16.0	1798222000	24-SDS-L18-M33E
L 22	M 18 x 1.5	PN 250	23.9	11	35.5	16	32	12	90	9.0	1785252000	24-SDS-L22-M18E
L 22	M 22 x 1.5	PN 250	26.9	14	38	16.5	32	14	130	9.0	1784462000	24-SDS-L22-M22E
L 22	M 26 x 1.5	PN 250	31.9	18	40	16.5	32	16	180	10.1	0784452000	24-SDS-L22-M26E ¹⁾
L 22	M 27 x 2	PN 250	31.9	18	40	16.5	32	16	180	10.8	1798422000	24-SDS-L22-M27E
L 22	M 33 x 2	PN 250	39.9	19	43	17.5	41	18	230	18.6	1784732000	24-SDS-L22-M33E
L 28	M 18 x 1.5	PN 250	23.9	11	36.5	17	41	12	90	12.9	1785452000	24-SDS-L28-M18E
L 28	M 22 x 1.5	PN 250	26.9	14	39	17.5	41	14	130	13.7	1784802000	24-SDS-L28-M22E
L 28	M 26 x 1.5	PN 250	31.9	18	43	19.5	41	16	180	16.2	1784592000	24-SDS-L28-M26E
L 28	M 33 x 2	PN 250	39.9	23	43	17.5	41	18	230	16.4	0784462000	24-SDS-L28-M33E ¹⁾
L 28	M 42 x 2	PN 250	49.9	23	46	18.5	50	20	330	32.2	1784512000	24-SDS-L28-M42E
L 35	M 33 x 2	PN 250	39.9	23	46	17.5	46	18	230	21.7	1784392000	24-SDS-L35-M33E
L 35	M 42 x 2	PN 250	49.9	30	48	17.5	50	20	330	27.3	0784472000	24-SDS-L35-M42E ¹⁾
L 42	M 42 x 2	PN 250	49.9	30	50	19	55	20	330	33.6	1784782000	24-SDS-L42-M42E
L 42	M 48 x 2	PN 250	54.9	36	52	19	55	22	500	34.6	0784482000	24-SDS-L42-M48E ¹⁾

¹⁾ Standard size

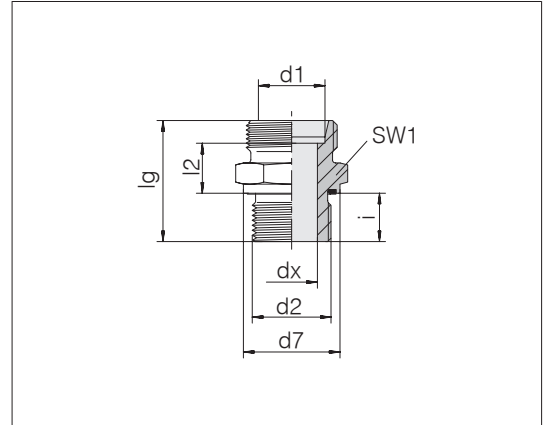
Continued on following page



Male stud connectors

Male thread: Metric fine thread, cylindrical
 Threaded stud: ISO 9974-2 Form E
 Sealing type: Profile sealing ring PEFLEX
 Sealing material: Standard NBR

Tube coupling: 24° in acc. with ISO 8434-1



Series	d2	Pressure	d7	dx	lg	l2	SW1	i	Nm -10 %	kg/100 ca.	Order-No.	Designation
Tube OD d1												
S 6	M 12 x 1.5	PN 800	16.9	4	32	13	17	12	50	2.9	0784492000	24-SDS-S6-M12E ¹⁾
S 8	M 12 x 1.5	PN 800	16.9	4	34	15	17	12	50	3.8	1785602000	24-SDS-S8-M12E
S 8	M 14 x 1.5	PN 800	18.9	5	34	15	19	12	60	4.1	0784502000	24-SDS-S8-M14E ¹⁾
S 8	M 18 x 1.5	PN 630	23.9	5	36.5	17.5	24	12	90	6.5	1785432000	24-SDS-S8-M18E
S 8	M 22 x 1.5	PN 630	26.9	5	41	20	27	14	130	10.4	1785342000	24-SDS-S8-M22E
S 10	M 12 x 1.5	PN 800	16.9	4	34.5	15	19	12	50	4.5	1796512000	24-SDS-S10-M12E
S 10	M 16 x 1.5	PN 800	21.9	7	34.5	15	22	12	80	5.3	0784512000	24-SDS-S10-M16E ¹⁾
S 10	M 18 x 1.5	PN 630	23.9	7	36.5	17	24	12	90	7.6	1785672000	24-SDS-S10-M18E
S 12	M 12 x 1.5	PN 630	16.9	4	36	16.5	22	12	50	5.2	1785592000	24-SDS-S12-M12E
S 12	M 14 x 1.5	PN 630	18.9	5	36	16.5	22	12	60	6.2	1796332000	24-SDS-S12-M14E
S 12	M 16 x 1.5	PN 630	21.9	7	36	16.5	22	12	80	6.9	1785172000	24-SDS-S12-M16E
S 12	M 18 x 1.5	PN 630	23.9	8	36.5	17	24	12	90	7.1	0784522000	24-SDS-S12-M18E ¹⁾
S 12	M 20 x 1.5	PN 630	25.9	8	39	17.5	27	14	130	10.0	1795192000	24-SDS-S12-M20E
S 12	M 22 x 1.5	PN 630	26.9	8	39	17.5	27	14	130	10.2	1784832000	24-SDS-S12-M22E
S 14	M 18 x 1.5	PN 630	23.9	8	39	19	24	12	90	7.7	1784672000	24-SDS-S14-M18E
S 14	M 20 x 1.5	PN 630	25.9	10	41	19	27	14	130	9.4	0784532000	24-SDS-S14-M20E ¹⁾
S 16	M 16 x 1.5	PN 630	21.9	7	39	18.5	27	12	50	8.4	1785372000	24-SDS-S16-M16E
S 16	M 18 x 1.5	PN 630	23.9	10	38.5	18	27	12	90	8.1	784062000	24-SDS-S16-M18E-ID10
S 16	M 22 x 1.5	PN 630	26.9	12	41	18.5	27	14	130	9.6	0784542000	24-SDS-S16-M22E ¹⁾
S 16	M 27 x 2	PN 420	31.9	12	45	20.5	32	16	200	15.7	1784682000	24-SDS-S16-M27E
S 20	M 22 x 1.5	PN 420	26.9	12	45	20.5	32	14	130	13.9	0784022000	24-SDS-S20-M22E
S 20	M 26 x 1.5	PN 420	31.9	16	47	20.5	32	16	190	16.3	1785782000	24-SDS-S20-M26E
S 20	M 27 x 2	PN 420	31.9	16	47	20.5	32	16	200	15.1	0784552000	24-SDS-S20-M27E ¹⁾
S 25	M 26 x 1.5	PN 420	31.9	16	51	23	41	16	50	25.0	1798432000	24-SDS-S25-M26E
S 25	M 27 x 2	PN 420	31.9	16	51	23	41	16	200	23.7	1784792000	24-SDS-S25-M27E
S 25	M 33 x 2	PN 420	39.9	20	53	23	41	18	250	26.5	0784562000	24-SDS-S25-M33E ¹⁾
S 30	M 33 x 2	PN 420	39.9	20	55	23.5	46	18	250	34.9	1796342000	24-SDS-S30-M33E
S 30	M 42 x 2	PN 420	49.9	25	57	23.5	50	20	500	41.7	0784572000	24-SDS-S30-M42E ¹⁾
S 38	M 48 x 2	PN 420	54.9	32	64	26	55	22	600	56.4	0784582000	24-SDS-S38-M48E ¹⁾

¹⁾ Standard size